

SEA EAGLE.com[®]



FishSkiff

FSK16

Instruction & Owner's Manual

Sea Eagle Boats Inc.
19 N. Columbia Street, Suite 1
Port Jefferson, NY 11777
1-800-748-8066

February 2020

Congratulations on purchasing a Sea Eagle!

With over 50 years of experience in designing, selling and using these quality inflatables, we're confident that you are going to love your Sea Eagle and we're ready to proudly stand behind them.

Sea Eagle Warranty

All Sea Eagle products come standard with a 3 year warranty against manufacturing defects. The warranty begins the date that your product is delivered.

Warranty does not cover damage from use, neglect, or abuse such as but not limited to abrasions, punctures and tears.

See complete warranty details at SeaEagle.com/Warranty.

If you receive a damaged item, please call the shipping carrier to report the issue. Do not return damaged merchandise until it has been inspected by the carrier. Sea Eagle will be notified by the carrier when they have completed their inspection and if necessary, Sea Eagle will arrange for the repair or replacement of damaged merchandise.

Decals, Stickers & Registration

Always contact your state boating authorities for information on boating registration and regulations. Most states require you to register your boat if you are using a motor. ****The Sea Eagle FSK16 is rated for use with up to a 6 hp motor.***

Upon registration it may be required to provide the Manufacturer's Statement of Origin. Purchases made through an authorized dealer or reseller may require for you to contact them directly in order to obtain this. You may be charged your own state sales tax if you were not charged sales tax at the time of purchase.

Registered boats generally require for the registration number to be applied to the boat. We do not recommend the use of decals or stickers as they tend to crack and peel over time with the repeated inflation and deflation of your Sea Eagle. Instead we suggest applying these numbers to a small piece of hard plastic or marine plywood and hanging it from your boat like a license plate if permitted by your state. Another method is to apply the numbers to the hull using either PVC based paint or permanent marker.

Contact Us

Unlike many other companies today we pride ourselves on answering the phone and helping you with any concerns, questions or special ordering needs that you may have! Feel free to give us a call at **1-800-748-8066** and we will be happy to talk with you! Our business hours are Monday to Friday from 9AM to 5PM, EST.

Sea Eagle Boats Inc.
19 N. Columbia Street, Suite 1
Port Jefferson, NY 11777
1-800-748-8066
Staff@SeaEagle.com

SAFETY

In a manual of this type it is impossible to give adequate space to the topic of water safety. For further information on boating safety, visit USCGBoating.org or enroll in a water safety course given by a local provider.

As a safety reminder, each Sea Eagle has a safety summary we call Boating Safety Basics printed on it. Please follow these suggestions and use good boating safety practices. In addition to the basics, we suggest you have a reasonable swimming ability and know that it is safer to go boating with a buddy. If you go alone, tell someone your float plan as described below. When possible, plan your trip so you go upwind on the way out and downwind on the way back.

Boating Safety Tips

- Always wear a USCG approved PFD (life vest) at all times while on the water.
- Be aware of your local boating rules and regulations and abide by them accordingly.
- Check inflation levels each time before you go out and inflate your boat for a full 24 hours before undertaking long trips.
- DO NOT allow children to use your Sea Eagle unsupervised.
- DO NOT consume alcohol while boating or operating a boat while under the influence of alcohol or drugs.
- DO NOT drag your Sea Eagle over pavement or gravel if it can be avoided.
- DO NOT exceed the certified maximum capacities of this boat under any circumstance.
- DO NOT go boating alone.
- DO NOT use compressors, CO₂ or compressed air for inflation, only use Sea Eagle recommended pumps.
- DO NOT use your Sea Eagle Boat as a personal flotation device as they are not rated for that use.
- DO NOT sleep inside of your Sea Eagle while on the water.
- Bring a fully charged cell phone or other emergency contact device in a waterproof bag.
- Always tell someone of your boating plans.

Safety Equipment & Important Safety Items

Water conditions will determine the type of safety equipment needed. At a minimum have a PFD (personal flotation device) and a whistle for each passenger. PFDs are required by law in most places.

Drinking Water & Snacks: Boating is a physical activity that can deplete your reserves. Have enough water and snacks to prevent dehydration and loss of stamina. Bring enough water for all passengers. Know the warning signs of dehydration and heat sickness such as dizziness and shaking.

Extra Clothes/Layers: Avoid deadly hypothermia. Water conducts heat faster than air, so go prepared with weather proof clothing especially if the water is cold. Use a “dry bag” to store extra clothing inside so they’re not damp when needed. Wear a wetsuit or drysuit when warranted.

First Aid-Kit: Contents of the kit may vary depending on your preferences but be sure to include items that match the hazards you are likely to encounter. A waterproof container is recommended.

Manual Pump/Repair Kit: Although our boats are both durable and rugged, it may be possible that you need to make a repair while on the water in which case you’ll need the repair kit and a manual pump to re-inflate the boat. If this is your first repair, you may also want to bring this instruction manual with you.

Sun/Rain Protection: A hat can protect both your face and head from the rain or sun. Sunscreen will help prevent serious damage to your skin from the sun and the sun’s reflection from the water. Reapply sunscreen as needed.

Whistle: Having a whistle readily available to you in case of emergency is a great way to attract the attention of others if assistance is needed.

Float Plan: Similar to a pilot’s Flight Plan, consider having a Float Plan (www.floatplancentral.org). Always tell someone where you are going to be boating and what time you plan to return. Keep a cell phone in a waterproof container that will float if it falls in the water.

Leash: Use of a leash is recommended for stand up paddling. It is not recommended to use a leash with an electric motor. For use of the boat with an electric motor, it is best to allow the boat to move away to avoid a propeller strike and retrieve it later.

SAFETY

Boating is challenging and inherently dangerous. Follow safe boating practices. Be physically fit enough to meet the challenges, prepared for any weather conditions that might be anticipated, and follow the safety basics. Protect all personal items in a waterproof bag. Secure all accessories to the boat. The FSK16 is large and stable for a boat. Keep weight (such as batteries, motors and gear) close to the center as possible to minimize tippiness.

Motor Safety and Reboarding

Spinning propellers and carbon monoxide produced by gas engines can cause serious injury or death.

- Do not approach a running motor from the water.
- If you or your passenger falls overboard, **do not attempt to reboard in the motor mount area.**
- Turn engine off at a safe distance when approaching a swimmer in the water.
- Install propeller guard on gas motors

If the motor is equipped with an engine safety cutoff (kill) switch, the driver must attach the cable to themselves, either around the thigh or wrist, or to clothing (preferably a life jacket). In addition:

- Test regularly to ensure that the engine stops when the kill cord is pulled from the switch.
- Make sure that the kill cord is in good condition.
- Always attach the kill cord securely to the driver, ideally before the engine is started, but certainly before the boat is put in gear.
- Stop the engine before transferring the kill cord to another driver.
- Wireless kill switches are available and each passenger can wear one.

Safety Training

Completion of an approved boating safety course is recommended for all operators of powered boats, and is required for junior operators in many jurisdictions.

Battery Features and Safety for Trolling Motors

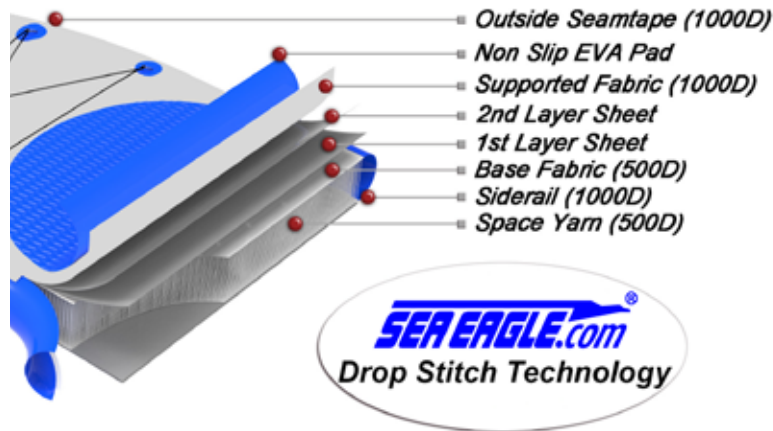
- Positive (+) red wire connects to positive (+) battery terminal. Black wire to negative terminal (-).
- To determine a battery's charge life, divide the amp hour rating by the motor amperage. For example, a battery rated at 60 Ah connected to a 30 amp motor will last approximately two hours at full speed. Note: this number will vary depending on conditions.
- Running the battery all the way down will shorten its life. Not more than 85% discharge is recommended. Multiply the above by 0.85 to get best run time.
- Charge battery after each use. Lead acid batteries like to be kept charged.
- Exposure to excessive heat will shorten battery life.
- Cold Cranking Amps (CCA) and starting power are not a consideration for trolling.
- 12v automobile, lawn tractor and motorcycle batteries can be used but are not designed for deep discharge and will wear out more quickly.
- A battery box like the Minn Kota Power Center is recommended, especially around aluminum paddle shafts which could cause an electrical short. It has a built-in circuit breaker. It will keep bare skin and clothes protected if any acid leaks from the battery.
- A circuit breaker or fuse is required by the Coast Guard. Check the trolling motor manual for the size circuit interrupter needed. Some of these conveniently bolt to the battery terminal. They are intended to protect against reverse polarity and shorts.
- In the event the motor wires are placed on the wrong terminals, reversing the polarity, the wires heat up and can melt the insulation and cut through the boat.
- A 12v battery charger will be needed. Chargers are widely available and prices range widely. Inexpensive chargers are usually sufficient.
- Choose gel cell over wet cell. Gel will be less likely to leak acid if the case seal is broken.
- Lithium or AGM batteries can be a good choice even if they are more expensive. They are generally lighter, discharge evenly for longer run times, and charge evenly for a longer life.
- For some operators, two small batteries are better than one large, heavy one. A small backup battery can be helpful too.

More technical and safety information is available from battery and motor manufacturer's, boating organizations and publications.

CONSTRUCTION & WORKING PRESSURE

Drop Stitch Construction:

The boat is made of drop-stitch material. Dozens of threads per square inch hold the top and bottom layers together and keep the flat-boat shape. Without drop stitch, inflatables are tube shaped.



Working Pressure:

In this instruction manual, we use the term “working pressure” to describe inflation pressure in pounds per square inch (PSI). By this we mean, the air pressure needed to make a boat rigid enough for use. All three chambers of the FishSkiff16 are drop-stitch material with a maximum pressure of 15 psi (1 bar). The recommended working pressure is 12 to 15 psi. How much pressure is needed can depend on how much weight is in the boat and environmental factors such as wave height.

When using the manual pump, the air pressure a user can force into the boat is related to how much the user weighs. For example, a 150 lb may find it difficult to put more than 12 psi into the boat and impossible to reach 15 psi, but will find the boat to be rigid enough for use at 12 psi. Additional pressure may not improve performance nor will it make the boat more buoyant.



Caution: Do not use the FishSkiff16 below 10 psi. Below this pressure the boat will be too flexible.



Danger: Over pressurization could lead to catastrophic failure and sudden release of compressed air. Serious injury to persons nearby could result. Maximum recommended pressure is 15 psi (1 bar). **DO NOT** use air compressors that are designed for other uses such as tire inflation. They can easily over-inflate & cause harm to you and your Sea Eagle that uses much lower pressure.

As air is compressed it heats up and expands. Warm air occupies more volume than cool air. If the water is cold, warm air in the boat will shrink and some rigidity will be lost. Allow a few minutes for the boat to cool off in the water, and if needed, top it off with enough pump strokes to bring it back up to pressure. The boat could also appear to lose pressure overnight if the nighttime temperature drops significantly below the daytime temperature.

Air pressure within the boat may increase on a very hot day. It is best to keep the boat in the water to dissipate heat, but the boat should be able to accept the additional pressure without failure. Refer to the care section of this manual for protection and storage information.

The FishSkiff16 holds a lot of air! Inflating with the manual pump is hard work and takes approximately 20 minutes with breaks to inflate the boat. The exercise from inflating the boat may be valuable, but often boating time is limited and it is better to get out on the water as quickly as possible. An electric pump is recommended for achieving that goal. If the FishSkiff16 is to be inflated once a season or kept on inflated on a trailer, a hand pump may be sufficient to maintain working pressure.



Caution: Inflating the boat manually is physically demanding. Pace yourself. If you feel uncomfortable, stop and rest, do not proceed if you are having a health issue.

OPERATING YOUR SEA EAGLE

BEFORE & DURING USE: Avoid damage. Do not drag your Sea Eagle over abrasive surfaces like asphalt parking lots, or concrete boat ramp, whether the boat is in its bag or inflated. Carry or wheel your Sea Eagle from the car to the setup point, and then to the water when assembled.

Rocks and sticks usually will not damage a Sea Eagle but be alert for partially hidden or submerged hazards like metal signs, shopping carts, and other debris especially during periods of low water. Be careful of docks and pilings which may have exposed nails, screws, and marine life such as barnacles and oysters.

FISH SPINES: Many species of fish have sharp spines than can cause small punctures in the FSK16. Do not allow fighting fish to bump the boat. Use a net to lift fish out of water when possible.

PADDLING: Most of the power should come from your torso. Your arms contribute, but too much reliance on your arms will cause you to tire quickly. For good balance, keep your head up and eyes focused on the horizon. Start paddling gently and smoothly. As the boat picks up speed it will maintain a truer heading. If you dig in hard at first you will create more yaw. Course corrections can be made by easing up or bearing down on one side or the other. Gentle turns can be made by sweeping water behind the boat. Braking will allow you to maneuver sharp bends in a stream, for example, but kills forward speed.

In a crosswind, paddle more on the downwind (leeward) side of the boat to keep on a straight course. Paddling on the upwind side will cause the boat to turn down wind.

SELF BAILING: The FishSkiff16 is designed to be self draining. Water coming over the bow or sides will drain under the transom.

Capacity Ratings and Dimensions:

Persons: 3 Persons

Total Weight Capacity: 1765 lbs

Maximum Engine Rating: 6 HP, Short Shaft Recommended

Chambers: 3

Length: 16'

Boat Weight: 101 lbs

Width: 4' 8"





Additionally, the FishSkiff16 can be outfitted with a secondary electric trolling motor mounted on the optional Sea Eagle Kayak Motor Mount using the D-rings near the bow.




WARNING: This product can expose you to chemicals including DEHP (Di(2-ethylhexyl)phthalate), which is known to the state of California to cause Cancer, Birth Defects or other reproductive harm.

For more information go to www.P65Warnings.ca.gov

Warning Labels:

 DANGER	
	<p>Carbon Monoxide (CO) gas can cause brain damage or death.</p> <p>Engine exhaust contains odorless and colorless Carbon Monoxide gas.</p> <p>Carbon Monoxide gas will be around the back of the boat when engine is running.</p> <p>Move to fresh air, if you feel nausea, headache, dizziness or drowsiness.</p>

 WARNING
<p>ROTATING PROPELLER MAY CAUSE SERIOUS INJURY OR DEATH.</p> <p>SHUT OFF ENGINE WHEN NEAR PERSONS IN THE WATER</p>

Safety Instructions/Boating Safety Basics are glued to the floor near the transom.

Invasive Species Control: If the boat is to be used in multiple waterways, fully drain the boat, rinse and dry between uses. Flush the channel between the side chambers and floor chamber with a disinfectant such as a mild bleach solution. Call or check website for local fish and wildlife authority for more information on how to prevent the spread of invasive plants and animals. Your Sea Eagle is resistant to most steam and most chemicals.



Using the Recessed Valves:

Remove the cap to access the valve stem.



Press and turn the stem counterclockwise so it can pop UP. When the stem is up, the valve is closed and will hold air.

To let air escape for deflation, press and turn the stem clockwise until locked open.



Using the Double Action Hand Pump:

In the double action mode the pump inflates on the up and down strokes. In the single action mode, the handle comes up more easily, allowing the user to push hard on the down stroke.



Screw the hose onto the pump.

Begin in the double action mode for fast fill.

Switch to single action when handle becomes too hard to lift.



Using the Double Action Hand Pump:

The pump hose has a Recessed Valve Adapter at one end. When ready to inflate the boat, push adapter firmly into valve and twist clockwise to lock in.

If hose untwists itself from the valve, put some counterclockwise twist to the hose and reinsert.

FishSkiff | ASSEMBLY & INFLATION



Locate an area large enough to safely unfold the FSK16. Check that the area is free of hazards that could injure you or damage the boat.



With valve stem in the up position, insert adapter, push down firmly and twist clockwise.

Inflate floor chamber to full pressure.

At this time, **partially inflate the sides.** Sides need to be soft so grommet holes can be lined up with transom holes.



Pressure gauge will not register until chamber begins to get pressurized.

Pump until working pressure of between 14 and 15 PSI is reached. Do not exceed 15 PSI (1 bar).

Inner numbers show 15psi in photo.



Motor Mount Transom Board
Insert transom board into motormount grommets. Plate with ring faces forward.

Start with floor grommets. Adjust transom board to align the holes.



Push the 100mm (4") x M8 bolts with washer through the grommets and transom. If needed, push sides so transom holes align with grommet holes. A wrench is recommended for holding the bolt heads while tightening the threaded knob. When all four bolts are inserted, inflate the side chambers to the working pressure.



WARNING:
Air compressors that are designed for other uses like tire inflation (usually over 30 psi) can easily over-inflate and cause harm to your Sea Eagle that uses a much lower pressure. For this reason, we recommend using only Sea Eagle manual or electric pumps.



Fishing Rig
To assemble and install the Swivel Seat Fish Rig, please refer to the supplemental instructions on **page 14**.



Stand Up Paddle
This adjustable paddle has a T-handle, shaft and blade. Insert the blade into the shaft and align the hole with the button to lock in place. Insert the T-handle and adjust to the desired length using the locking nut.



Adjust to your height. Stand paddle on ground with arm up. Handle should fit in palm of hand (about 9" above your head). Turn the large nut counter clockwise to loosen. Pull out the T-grip to size. Turn nut clockwise to tighten.



Paddle Holder
Use clips to secure paddle to boat. Extend handle slightly and insert into forward clip. Press and twist paddle at blade end to insert shaft in rear clip.



Bow Handle Pad
A padded cover for the bow handle is provided in the Orange Repair Kit. Wrap the handle and secure smoothing the hook & loop strips together.



Canopy (OPTIONAL)

Canopy kit includes two curved bars, two side rods, canvas, two black knobs and two short (35mm) screws. Additional hardware may be included that is not for use on the FSK16.



Layout canvas upside down (shiny side up).

Slide one curved bar into the canvas sleeve with locking holes up.

Slide the second bar into the other sleeve with locking holes facing down.



Fold the canvas in half so the shiny side is facing out and the bars are lying on top of each other.

Insert the side rods into the curved bars until the locking pins engage through the holes.



Place the canopy on the back of the boat with the short bars up.

Use the short screw and the knob to secure the rods to the black canopy pads on the boat.



Attach the rear clips to the rear carry handles.

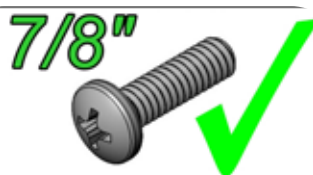
Attach the front straps to either set of carry handles. Wrap the straps around the rod twice to use the handles directly below the strap. Adjust the straps until canopy is tight.



Scotty® Deck Mounts (OPTIONAL):

Attach deck mounts with 7/8" screws provided to the pad mounts at the bow & near the transom. Screws are located in Orange Repair Kit.

Arrow points inboard.



Don't stab the pad!

Use **only** 1/4 - 20 x 7/8" screws provided in the orange repair kit. Longer screws, pointed screws, etc., will puncture the air chamber.

Puncturing the air chamber in this manner is not covered under the warranty.



⚠ Caution: Puncture hazard: do not thread screws into base without the Scotty Deck Mount.



To install a Scotty accessory in the mount, push stem into base until it clicks in.

Shown here is the Scotty® Baitcaster Rod Holder. An anchor mount is suggested for the bow pad.



Motor and Battery (OPTIONAL)

Clamp electric motor (or up to a 6hp gas motor) to motor mount before mounting battery. Secure battery or gas tank by running the strap with buckle over the battery/ tank and through the D-rings. Strap stretches when wet, check strap frequently.



Attach Quick Release base to motor following the video instructions ([Quick Release Bracket](#)).

Locking clip must be on the left side when looking at the motor upside down.

⚠ Caution: Not too tight! Screwhead will pull through nylon base.



Bow Mount Trolling Motor (OPTIONAL) Motormount Hardware

Watersnake has posted instructions for attaching [Quick Release Bracket](#) to motor on YouTube. The Sea Eagle bow mount board is predrilled for the Quick Release. Quick Release is not required but additional holes will need to be drilled.



Near valves in bow (front) are four D-rings (two on each side of boat) that hold the aluminum board to the boat.

Insert large washer through each bolt. Insert each bolt through a D-ring so it stands upward.

- Board Attachment Hardware**
 4 ¼ - 20 x 1¼" Philips Head Screws
 4 5/16 x 1¼" Flat Washer
 4 3-Arm Knobs



Included:

- Board Block**
 4 - M6 x 40 mm socket head screws
 8 - ½" x ¼" flat washers
 4 - locking nuts

- Motor Bracket**
 6 - M6 x 35 mm socket head screws
 12 - ½" x ¼" flat washers
 6 - locking nuts

Tools needed: Phillips Head screwdriver, 10 mm wrench and 5 mm hex wrench.



Place board over the bolts on one side of boat and work bolts through the holes.

Start threading knobs onto the bolts but do not tighten until bolts are worked through the holes on the other end of the board.



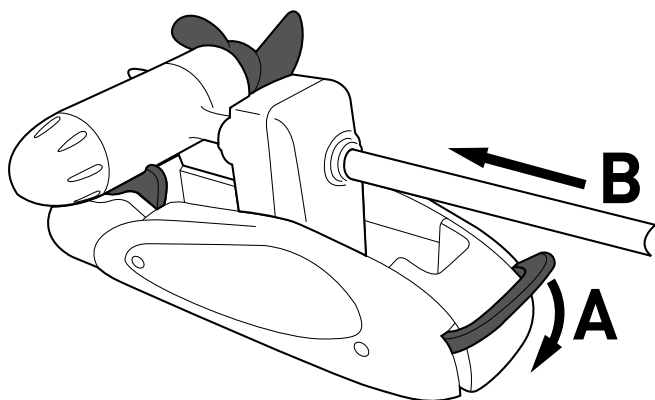
Attach Quick Release adapter block to aluminum board using M6 x 40 mm (1 ½") socket head screws, washers and locking nuts. The sides are tapered, install so that block and base can slide together.



Place motor over Quick Release plate and insert locking bar. Locking bar must engage the clip. Follow manufacturer's instructions for deploying and stowing the motor. For Watersnake, see the next page of this manual.

W WATERSNAKE

IMPORTANT! How to stow and deploy your Watersnake
PLEASE READ BEFORE USE. bow mount electric motor.

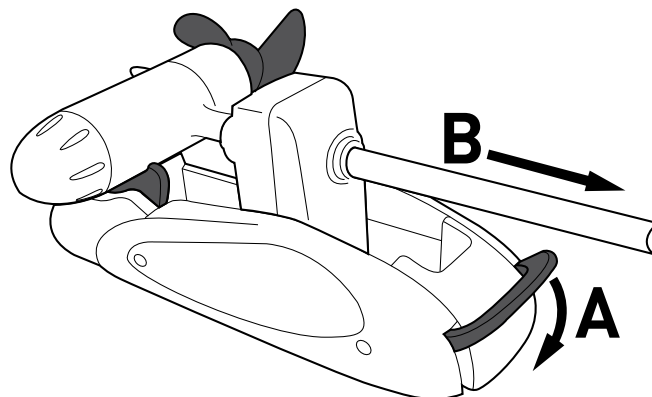


DEPLOYING YOUR MOTOR

To deploy the motor press down on the pedal **(A)** and simultaneously slide the shaft **(B)** through the gear box and lower carefully into the water.

PLEASE NOTE:

WATERSNAKE DISTRIBUTION PTY LTD ACCEPTS NO LIABILITY FOR INJURY OR DAMAGE CAUSED BY THE INCORRECT DEPLOYMENT OR STOWING OF THIS MOTOR.



STOWING YOUR MOTOR

To stow the motor press down on the pedal **(A)** and simultaneously slide the shaft **(B)** through the gear box until the lower motor unit sits back in the locking clamps. There should be a click sound locking the unit in position.

ENSURE YOUR MOTOR IS PROPERLY STOWED AND SECURED BEFORE DRIVING AND OR MOVING YOUR BOAT TO AVOID DAMAGE.

FishSkiff | DEFLATION



To deflate, push down on the valve stem and quarter turn it to the right. The stem will stay in the down position, allowing the air to escape.

⚠ Caution: Air escapes with force, do not place face directly over valve.



Begin by folding the extensions in half. Keep folding toward the valves and pushing air out.

Transom must be removed for boat to fit in bag.



When all the air is pushed out. Place the boat bag under the bow.



Fold the tip back and roll the boat on top.



Secure the bag with the straps. Run strap through both rings, and back through first ring.

FishSkiff | CLEANING & PROTECTING

Dry after each use to avoid mold. **While washing or rinsing: close the valve and twist the cap on so water cannot not enter the chamber.** Sea Eagles can be cleaned very effectively with general purpose cleaning products and a scrub brush. Towel dry.

Protection from the Sun and Heat

Avoid leaving the boat in direct sunlight when ashore. Temperatures on a beach, dock, davit, etc. can get very high, which could affect the vinyl or glue. Excessive exposure to sun and heat can cause your Sea Eagle to become sticky or cause the glue to fail.

Treat the boat with a UV protectant such as 303 Aerospace Protectant. Generally, protectants are a thin film of oil, which will help keep your Sea Eagle clean. Avoid applying protectant on the EVA pad or places where foot traction is needed. Treated boat will repel sand, water scum and tar stains.

FishSkiff | STORAGE

If you're planning to leave your Sea Eagle outside, keep it raised off the ground and covered so it is not exposed to sunlight, rain, leaves, berries, bird droppings, etc.

Storage Tips: *"The best way to store a Sea Eagle is folded up in it's bag". - Cecil Hoge, Jr., Sea Eagle President*

- Check for water in the chambers. Water will leak out of open valves when it is rolled up.
- Water left inside can leak out and cause a lot of mold. Dry thoroughly to prevent mold.
- Rodent-proof the storage area. Mice, squirrels and other small rodents can do a lot of damage.
- Avoid excess heat. Do not store in direct sunlight, in an attic or a metal shed.
- In temperatures below freezing, do not drop, strike or

FishSkiff | REPAIRS

unroll until it is brought to room temperature.

- It can be stored inflated. If hung, support it along its length.
- After storage, inspect for loose items, damage and leaks. Avoid excess heat. Do not store in direct sunlight, in an attic or a metal shed.

FishSkiff | TROUBLE SHOOTING

If your Sea Eagle has lost pressure, it does not necessarily mean it is leaking. If it is inflated during the heat of the day and the temperature drops during the night it will be softer in the morning. If launching in very cold water, the air inside may contract and cause a loss of pressure. Add more air to restore to full pressure. If temperature is not a factor and your boat is losing air pressure, it's time to look for a leak.

Step #1. LOOK

Visually inspect the boat close up and if necessary, flip it over and closely check the outside. Any large leaks when your boat loses a considerable amount of air should be clearly visible.

Step #2. LISTEN

If you have a rough idea of where your leak is but can't see it, you may want to try listening for it as you may be able to hear the air escaping and pinpoint the leak.

Step #3. TIGHTEN

Check the tightness of the one-way recessed valves as well and if necessary, tighten them with the valve wrench included in the repair kit canister.

Step #4. SOAPY WATER TEST

You'll need a bucket and liquid dish washing soap. Fill the bucket with clear water, and add a good squirt of soap (couple of tablespoons) to the water. Inflate the leaking chamber to full pressure. Spread lots of soapy water on the leaking chamber with a hand towel or large sponge. Don't assume the leak is coming from the valve or seams. The leak may produce bubbles, make hissing or sputtering noises, or spray water. Spray bottles are not effective at locating many leaks.



Even though Sea Eagles are very rugged and tough, you may still experience the occasional puncture. Fortunately most repairs are fairly easy and only take a few minutes. For extensive repairs, please contact us directly to provide you with further assistance. The best way to do this is to e-mail us a digital photo of the area in question along with your hull identification number to staff@seaeagle.com.

You can also call us directly at **1-800-748-8066 ex. 314** and ask to speak with Technical Support for further assistance or a quote for having your boat mailed to our facilities for our professional repair services.

Sea Eagle repair fees start at \$75.00 and does not include return shipping charges. Please note that Sea Eagle does not service any other brand other than our own. All items sent to our repair facilities must have prior authorization in the form of a Return Authorization Number.



Repair Kit

All Sea Eagles come standard with a repair kit which includes PVC patches and PVC glue. Repair kits also include a valve wrench.



PVC Based Glue

To patch your Sea Eagle, use an adhesive for PVC boats. Plumber's cement, epoxy, Flex Seal, water-proofing sprays and Gorilla Glue do not work.



Pinholes

Deflate the boat and thoroughly clean and dry the area that is to be repaired. For small punctures less than 1/8" apply a small drop of glue and allow 24 hours to cure.



Patching

The most common repairs are a puncture or small cut. A penny size patch is sufficient for repairs of this type.



Trace the outline of a penny on the patch material and on the boat. If a larger patch is needed, use a larger item as a template.



Cut patch along the outline with scissors.



Pro Tip: Trace the outline of the penny on masking tape and cut with a utility knife. Apply tape to the boat instead of tracing on the boat.



Apply glue to the patch and boat. Allow to dry 15 minutes. Glue must be dry to the touch. If glue layer is thin, apply second coat, allow to dry 15 minutes.



Apply patch to the boat. Smooth with finger or a smoothing tool such as a spoon, handle of a utility knife, or screwdriver. For best results, heat patch with a hair dryer 10-20 seconds and smooth with tool.

Patching Tips:

- The chamber must be deflated or the air will force a path through the glue.
- Keep the patch size to a minimum, the bigger the patch, the harder it is to seal. The most common repair failures occur because the patch is too big.
- For repairs larger than a puncture, overlap the damage area by about 1/2" on each side.
- Do not apply the patch while the glue is wet.
- Covering a leaking patch with another patch rarely fixes the problem. To remove a patch, heat it with a hair dryer and peel it off.
- For field repairs, allow at least an hour to cure. Other repairs, allow to cure overnight.
- Patches can be removed by heating with a hairdryer.
- **Never** use a heat gun on your boat.
- Clamps and weights are not needed.

For a demonstration of good patching technique, please view the **How to Repair** video on the instruction page of our web site. There is a link at the bottom of every page at **SeaEagle.com** or type "instructions" into the search box.



Sea Eagle offers a large array of accessories for your FishSkiff.



Personal Flotation Devices (OPTIONAL)

U.S.C.G. approved. Life jackets, paddling vest, PFD Belts available in various sizes.



Life Jacket Whistle (OPTIONAL)

Bright orange whistle can clip onto your life jacket or used with the included lanyard to hang around your neck or wrist. Whistle has no parts or balls that can jam or corrode.



See-me Safety Light (OPTIONAL)

Coast Guard approved LED personal safety light emits a 360° light visible up to 3.4 miles. It also attaches to a PFD!



BTP Turbo Electric Pump (OPTIONAL)

These electric pumps come with a nylon shoulder carry bag, 12V DC power cord, hose and adapters.



EZ Cart Small (OPTIONAL)

Transport your Boat from your car to the water and back with ease. Quickly assembles & disassembles.



303 Protectant (OPTIONAL)

Extends the life of your Sea Eagle. Simply spray on every 30-45 days to improve resistance to UV, chemical & other types of harmful exposure.

Contact Us

Unlike many other companies today we pride ourselves on answering the phone and helping you with any concerns, questions or special ordering needs that you may have! Feel free to give us a call at **1-800-748-8066** and we will be happy to talk with you! Our business hours are Monday to Friday from 9AM to 5PM, EST.

Sea Eagle Boats Inc.

19 N. Columbia Street, Suite 1
Port Jefferson NY 11777

1-800-748-8066
staff@seaeagle.com



19 N. Columbia St., Suite 1, Port Jefferson, NY 11777
Tel. 631 473 7308 - Fax 631 473 7398
SeaEagle.com

Swivel Seat Fishing Rig (SSFR)

Assembly Instructions

for FishSkiff 16 (FSK16)

Kit Includes: Aluminum base assembly, folding seat with locking swivel plate, Scotty Baitcaster Rod Holders with push button mount, pedestal, and hardware.



Seat to Pedestal Hardware
4 - 1/2" Hex Head Screws
4 - Wingnuts

Pedestal to Frame
4 - 1" Hex Head Screws
4 - Wingnuts

Rod Holder Screws
8 - #6 x 1" Phillips Head Screws

Tools
Drill with #2 screwdriver tip or #2 phillips screwdriver
7/16" Wrench for hex head screws

One-Time Setup

Scotty mount to rear rod holder crossbar.

Use a drill with phillips head tip or a screwdriver to screw Scotty bases onto rod holder bar with #6 stainless steel screws. This is a one-time task.





Pedestal to Seat

Attach the pedestal to the seat swivel with the short 1/2" screws and wingnuts.

Tighten wingnuts after all the screws have been inserted.

Tighten with screwdriver if needed.



Attach swivel seat to the aluminum board using 1" hex head bolts and wingnuts.

Tighten wingnuts after all the screws have been inserted.

Use 7/16" wrench if needed.



The completed frame will look like this.



Place the Fishing Rig over the straps. Run strap through both rings then back through front ring



Pull the strap tight.



Completed Fishing Rig.



To swivel, sit in seat, pull locking bar forward and push legs in the direction you want go.

CAUTION: Straps can stretch when wet. Wet the strap before leaving shore and tighten. Check frequently and as retighten as need

Scotty Bait Caster Rod Holder



Install

To install rod holder in the mount, push stem into base until it clicks in.

Rotate or Remove

To rotate or remove rod holder from mount, press **white button** and pull rod holder upward.

Rod Angle

To adjust the rod angle, loosen the large **black knob** on the side until the teeth clear the grooves. Adjust angle and retighten.

We hope you enjoy the FSK16 and Fishing Rig and use caution while out on the water, follow the Sea Eagle Boating Safety Basics and boat safely.

Sea Eagle Boats Inc.
19 N. Columbia Street, Suite 1
Port Jefferson, NY 11777
1-800-748-8066
Staff@SeaEagle.com